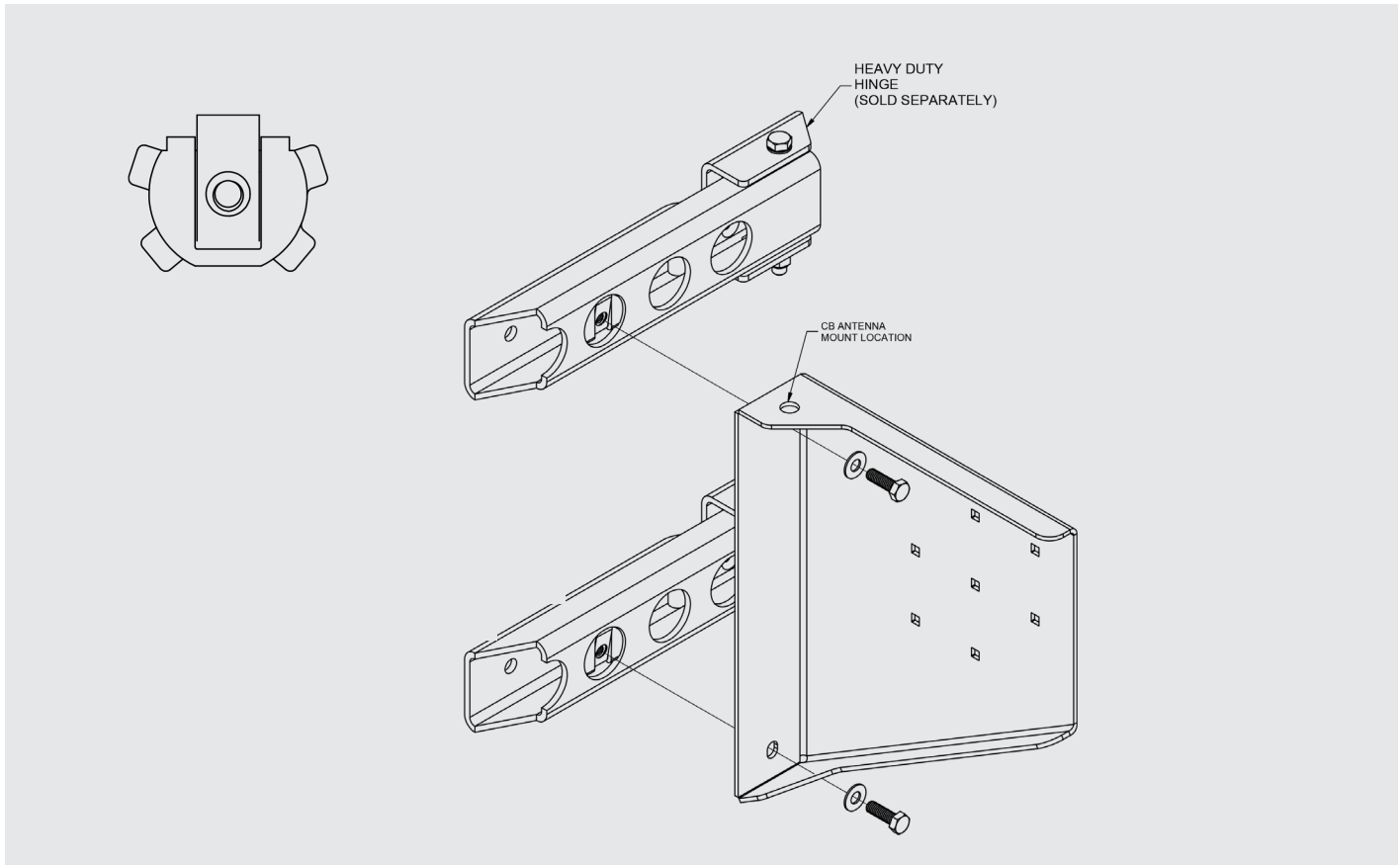


MOUNTING THE ROTOPAX CARRIER

*Easily mounts to the Heavy-Duty JK hinges, sold separately



1. Insert backer clip into one of the holes in the top heavy-duty hinge
2. Hold the backer clip in place with a finger through one of the adjacent holes
3. Insert bolt through the top hole in the carrier and thread it into the backer clip
4. Repeat the process with the lower hinge
5. Tighten both bolts to secure carrier to hinges
6. Attach rotopax mount to carrier (sold separately) - use lower position for one gallon container or use upper position for larger containers

NOTE:

- Process is much easier if spare tire is removed before installation
- Maximum spare tire size compatible with the carrier in the left position is 33"
- Maximum spare tire size compatible with the carrier in the middle position is 37", but with the carrier in the middle position the Rotopax mount or can may contact the taillight when the tailgate is fully open